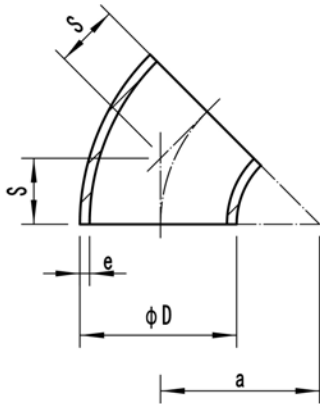


Elbows Short Radius

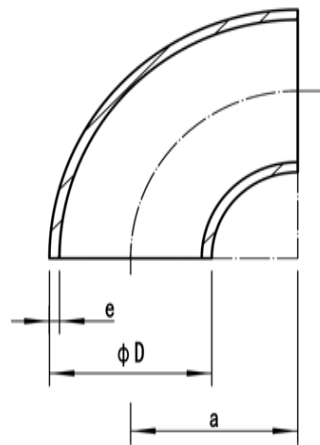
10Bar

14Bar

Material: CuNi 90/10
CuNi 70/30



Outside diameter of pipe		DIN 86090							
		10Bar				14Bar			
nominal inch	actual mm	Wall thickness	Radius a		Theoretical weight	Wall thickness	Radius a		Theoretical weight
		e mm	a mm	s mm	Kg/piece	e mm	a mm	s mm	Kg/piece
1	30	1.5	30	12	0.02	1.5	30	12	0.02
1.25	38	1.5	32.5	14	0.04	1.5	32.5	14	0.04
1.5	44.5	1.5	40	17	0.06	1.5	40	17	0.06
2	57	1.5	52.5	22	0.1	1.5	52.5	22	0.1
2.5	76.1	2	70	29	0.22	2	70	29	0.22
3	88.9	2	82.5	34	0.32	2.5	82.5	34	0.4
4	108	2.5	100	41	0.58	2.5	100	41	0.58
5	133	2.5	125	52	0.9	3	125	52	1.08
6	159	2.5	150	62	1.3	3	150	62	1.56
7	193.7	2.5	180	75	1.9	3.5	180	75	2.66
8	219.1	3	210	87	3	3.5	210	87	3.5
10	267	3	255	106	4.4	4	255	106	5.87
12	323.9	4	305	126	8.6	5	305	126	10.75
14	368	4	352.5	146	11.3	5.5	352.5	146	15.54
16	419.1	4	400	166	16.4	6	400	166	21.87
18	457.2	4	455	188	20.4	6	455	188	30.6
20	508	4.5	505	209	28.1	6.5	505	209	42.15
24	610	5	610	253	40.9	8	610	253	65.45



Outside diameter of pipe		DIN 86090							
		10Bar				14Bar			
nominal inch	actual mm	Wall thickness	Radius a		Theoretical weight	Wall thickness	Radius a		Theoretical weight
		e mm	a mm		Kg/piece	e mm	a mm		Kg/piece
1	30	1.5	30	-	0.04	1.5	30	-	0.04
1.25	38	1.5	32.5	-	0.08	1.5	32.5	-	0.08
1.5	44.5	1.5	40	-	0.12	1.5	40	-	0.12
2	57	1.5	52.5	-	0.2	1.5	52.5	-	0.2
2.5	76.1	1.5	70	-	0.44	1.5	70	-	0.44
3	88.9	2	82.5	-	0.64	2.5	82.5	-	0.8
4	108	2.5	100	-	1.16	2.5	100	-	1.16
5	133	2.5	125	-	1.8	3	125	-	2.16
6	159	2.5	150	-	2.6	3	150	-	3.12
7	193.7	2.5	180	-	3.8	3.5	180	-	5.32
8	219.1	3	210	-	6	3.5	210	-	7
10	267	3	255	-	8.8	4	255	-	11.74
12	323.9	4	305	-	17.2	5	305	-	21.5
14	368	4	352.5	-	22.6	5.5	352.5	-	31.08
16	419.1	4	400	-	32.8	6	400	-	43.74
18	457.2	4	455	-	40.8	6	455	-	61.2
20	508	4.5	505	-	56.2	6.5	505	-	84.3
24	610	5	610	-	81.8	8	610	-	130.9

Pipe Fittings



Shanghai Shihang Copper Nickel Pipe Fittings Co., Ltd.

TEL:86-21-58050989 FAX:86-21-68291168 E-mail:sales@shshihang.com Website:www.shshihang.com