

45° Elbows Long Radius

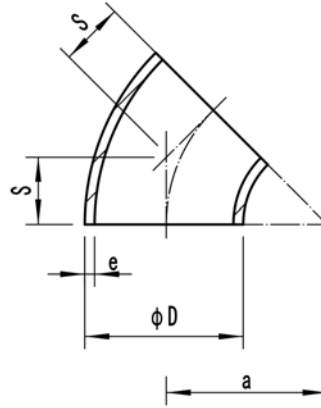
10Bar

14Bar

16Bar

20Bar

Material: CuNi 90/10
CuNi 70/30



Outside diameter of pipe		DIN 86090								EEMUA 146							
		10Bar				14Bar				16Bar				20Bar			
ØD		Wall thickness	Radius		Theoretical weight	Wall thickness	Radius		Theoretical weight	Wall thickness	Radius		Theoretical weight	Wall thickness	Radius		Theoretical weight
nominal	actual	e	a	s	Kg/piece	e	a	s	Kg/piece	e	a	s	Kg/piece	e	a	s	Kg/piece
inch	mm	mm	mm	mm		mm	mm	mm		mm	mm	mm		mm	mm	mm	
0.5	20	1	25	10.4	0.01	1	25	10.4	0.01	-	-	-	-	-	-	-	-
0.75	25	1.5	27.5	11.4	0.02	1.5	27.5	11.4	0.02	-	-	-	-	-	-	-	-
1	30	1.5	33.5	14	0.03	1.5	33.5	14	0.03	2.5	38	22	0.06	2.5	38	22	0.06
1.25	38	1.5	45	19	0.05	1.5	45	19	0.05	2.5	48	25	0.09	2.5	48	25	0.09
1.5	44.5	1.5	51	21	0.07	1.5	51	21	0.07	2.5	57	29	0.13	2.5	57	29	0.13
2	57	1.5	72	30	0.13	1.5	72	30	0.13	2.5	76	35	0.23	2.5	76	35	0.23
2.5	76.1	2	95	39	0.3	2	95	39	0.3	2.5	95	44	0.38	2.5	95	44	0.38
3	88.9	2	114.5	47	0.43	2.5	114.5	47	0.54	2.5	114	51	0.54	2.5	114	51	0.54
4	108	2.5	142.5	59	0.82	2.5	142.5	59	0.82	3	152	64	1.05	3	152	64	1.05
5	133	2.5	181	75	1.29	3	181	75	1.55	-	-	-	-	-	-	-	-
6	159	2.5	216	89	1.85	3	216	89	2.22	3	229	95	2.35	3.5	229	95	2.74
7	193.7	2.5	270	112	2.82	3.5	270	112	3.94	-	-	-	-	-	-	-	-
8	219.1	3	305	126	4.33	3.5	305	126	5.04	4	305	127	5.75	4.5	305	127	6.47
10	267	3	378	157	6.55	4	378	157	8.73	4.5	381	159	9.85	5.5	381	159	12.04
12	323.9	4	457	189	12.8	5	457	189	16	5.5	457	190	17.53	7	457	190	22.3
14	368	4	533.5	221	17	5.5	533.5	221	23.37	6.5	533	222	27.46	8	533	222	33.8
16	419.1	4	609.5	252	29.9	6	609.5	252	33.2	7	610	254	38.5	9	610	254	49.5
18	457.2	4	686	284	30.7	6	686	284	46.05	8	686	286	54.1	9.5	686	286	64.25
20	508	4.5	762	316	41.9	6.5	762	316	62.85	8.5	762	318	70.93	11	762	318	91.8
24	610	5	915	379	60.62	8	915	379	97	10.5	914	381	126.42	13	914	381	156.6

Pipe Fittings

