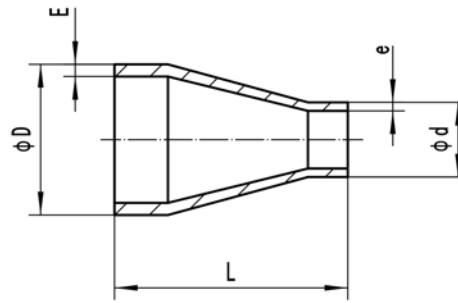


Concentric Reducers

10Bar

14Bar

Material: CuNi 90/10
CuNi 70/30



Outside diameter						DIN 86089							
						10Bar				14Bar			
∅D x ∅d		∅D x ∅d				Wall thickness		Length	Theoretical weight	Wall thickness		Length	Theoretical weight
nominal		actual				E	e	L	Kg/piece	E	e	L	Kg/piece
inch		mm				mm	mm	mm		mm	mm	mm	
0.5	x	0.38	20	x	16	1	1	30	0.01	1	1	30	0.01
0.75	x	0.38	25	x	16	1.5	1	30	0.02	1.5	1	30	0.02
0.75	x	0.5	25	x	20	1.5	1	30	0.03	1.5	1	30	0.03
1	x	0.38	30	x	16	1.5	1	35	0.03	1.5	1	35	0.03
1	x	0.5	30	x	20	1.5	1	35	0.04	1.5	1	35	0.04
1	x	0.75	30	x	25	1.5	1.5	35	0.05	1.5	1.5	35	0.05
1.25	x	0.38	38	x	16	1.5	1	50	0.05	1.5	1	50	0.05
1.25	x	0.5	38	x	20	1.5	1	50	0.06	1.5	1	50	0.06
1.25	x	0.75	38	x	25	1.5	1.5	50	0.07	1.5	1.5	50	0.07
1.25	x	1	38	x	30	1.5	1.5	50	0.08	1.5	1.5	50	0.08
1.5	x	0.5	44.5	x	20	1.5	1	80	0.09	1.5	1	80	0.09
1.5	x	0.75	44.5	x	25	1.5	1.5	80	0.11	1.5	1.5	80	0.11
1.5	x	1	44.5	x	30	1.5	1.5	80	0.12	1.5	1.5	80	0.12
1.5	x	1.25	44.5	x	38	1.5	1.5	80	0.13	1.5	1.5	80	0.13
2	x	0.75	57	x	25	1.5	1.5	80	0.13	1.5	1.5	80	0.13
2	x	1	57	x	30	1.5	1.5	80	0.14	1.5	1.5	80	0.14
2	x	1.25	57	x	38	1.5	1.5	80	0.15	1.5	1.5	80	0.15
2	x	1.5	57	x	44.5	1.5	1.5	80	0.16	1.5	1.5	80	0.16
2.5	x	1	76.1	x	30	2	1.5	90	0.24	2	1.5	90	0.24
2.5	x	1.25	76.1	x	38	2	1.5	90	0.25	2	1.5	90	0.25
2.5	x	1.5	76.1	x	44.5	2	1.5	90	0.26	2	1.5	90	0.26
2.5	x	2	76.1	x	57	2	1.5	90	0.29	2	1.5	90	0.29
3	x	1.25	88.9	x	38	2	1.5	90	0.29	2.5	1.5	90	0.33
3	x	1.5	88.9	x	44.5	2	1.5	90	0.3	2.5	1.5	90	0.35
3	x	2	88.9	x	57	2	1.5	90	0.32	2.5	1.5	90	0.38
3	x	2.5	88.9	x	76	2	2	90	0.4	2.5	2	90	0.48
4	x	1.5	108	x	44.5	2.5	1.5	100	0.46	2.5	1.5	100	0.46
4	x	2	108	x	57	2.5	1.5	100	0.48	2.5	1.5	100	0.48
4	x	2.5	108	x	76.1	2.5	2	100	0.57	2.5	2	100	0.57
4	x	3	108	x	88.9	2.5	2	100	0.61	2.5	2.5	100	0.61
5	x	2	133	x	57	2.5	1.5	140	0.8	3	1.5	140	0.86
5	x	2.5	133	x	76.1	2.5	2	140	0.93	3	2	140	1.06
5	x	3	133	x	88.9	2.5	2	140	0.98	3	2.5	140	1.13
5	x	4	133	x	108	2.5	2.5	140	1.16	3	2.5	140	1.34
6	x	2.5	159	x	76.1	2.5	2	150	1.13	3	2	150	1.35
6	x	3	159	x	88.9	2.5	2	150	1.19	3	2.5	150	1.42
6	x	4	159	x	108	2.5	2.5	150	1.38	3	2.5	150	1.65
6	x	5	159	x	133	2.5	2.5	150	1.51	3	3	150	1.81
7	x	3	193.7	x	88.9	2.5	2	155	1.39	3.5	2.5	155	1.94
7	x	4	193.7	x	108	2.5	2.5	155	1.58	3.5	2.5	155	2.21
7	x	5	193.7	x	133	2.5	2.5	155	1.71	3.5	3	155	2.39
7	x	6	193.7	x	159	2.5	2.5	155	1.86	3.5	3	155	2.6

Pipe Fittings

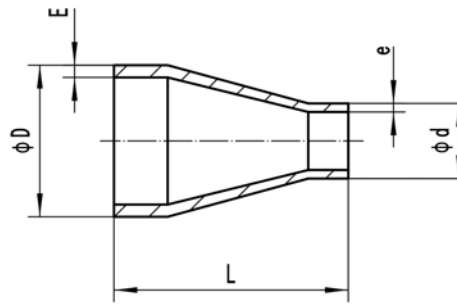


Shanghai Shihang Copper Nickel Pipe Fittings Co., Ltd.

Concentric Reducers

10Bar 14Bar

Material: CuNi 90/10
CuNi 70/30



Outside diameter						DIN 86089							
						10Bar			14Bar				
ØD x Ød		ØD x Ød				Wall thickness		Length	Theoretical weight	Wall thickness		Length	Theoretical weight
nominal inch		actual mm				E	e	L	Kg/piece	E	e	L	Kg/piece
						mm	mm	mm		mm	mm	mm	
8	x	4	219.1	x	108	3	2.5	155	2.47	3.5	2.5	155	2.88
8	x	5	219.1	x	133	3	2.5	155	2.6	3.5	3	155	3.03
8	x	6	219.1	x	159	3	2.5	155	2.74	3.5	3	155	3.2
8	x	7	219.1	x	193.7	3	2.5	155	2.93	3.5	3.5	155	3.42
10	x	5	267	x	133	3	2.5	210	3.3	4	3	210	4.4
10	x	6	267	x	159	3	2.5	210	3.49	4	3	210	4.65
10	x	7	267	x	193.7	3	2.5	210	3.75	4	3.5	210	5
10	x	8	267	x	219.1	3	3	210	4.25	4	3.5	210	5.65
12	x	5	323.9	x	133	4	2.5	210	5.3	5	3	210	6.62
12	x	6	323.9	x	159	4	2.5	210	5.6	5	3	210	7
12	x	7	323.9	x	193.7	4	2.5	210	6.02	5	3.5	210	7.52
12	x	8	323.9	x	219.1	4	3	210	6.3	5	3.5	210	7.9
12	x	10	323.9	x	267	4	3	210	6.88	5	4	210	8.6
14	x	6	368	x	159	4	2.5	300	8.75	5.5	3	300	12.03
14	x	7	368	x	193.7	4	2.5	300	9.34	5.5	3	300	12.84
14	x	8	368	x	219.1	4	3	300	9.76	5.5	3.5	300	13.42
14	x	10	368	x	267	4	3	300	10.57	5.5	4	300	14.53
14	x	12	368	x	323.9	4	4	300	11.53	5.5	5	300	15.85
16	x	7	419.1	x	193.7	4	2.5	325	11.04	6	3.5	325	16.56
16	x	8	419.1	x	219.1	4	3	325	11.5	6	3.5	325	17.25
16	x	10	419.1	x	267	4	3	300	12.38	6	4	325	18.57
16	x	12	419.1	x	323.9	4	4	300	13.42	6	5	325	20.13
16	x	14	419.1	x	368	4	4	300	14.22	6	5.5	325	21.33
18	x	8	457.2	x	219.1	4	3	350	13.14	6	3.5	350	19.7
18	x	10	457.2	x	267	4	3	350	14.08	6	4	350	21.1
18	x	12	457.2	x	323.9	4	4	350	15.2	6	5	350	22.8
18	x	14	457.2	x	368	4	4	350	16.06	6	5.5	350	24.1
18	x	16	457.2	x	419.1	4	4	350	17.07	6	6	350	25.8
20	x	10	508	x	267	4.5	3	375	18.07	6.5	4	375	26.1
20	x	12	508	x	323.9	4.5	4	375	19.42	6.5	5	375	28.05
20	x	14	508	x	368	4.5	4	375	20.47	6.5	5.5	375	29.6
20	x	16	508	x	419.1	4.5	4	375	21.68	6.5	6	375	31.3
20	x	18	508	x	457.2	4.5	4	375	22.57	6.5	6	375	32.6
24	x	14	508	x	368	5	4	400	27.19	8	5.5	400	43.5
24	x	16	610	x	419.1	5	4	400	28.62	8	6	400	45.8
24	x	18	610	x	457.2	5	4	400	29.69	8	6	400	47.5
24	x	20	610	x	508	5	4.5	400	31.12	8	6.5	400	49.8

Pipe Fittings



Shanghai Shihang Copper Nickel Pipe Fittings Co., Ltd.

TEL:86-21-58050989 FAX:86-21-68291168 E-mail:sales@shshihang.com Website:www.shshihang.com