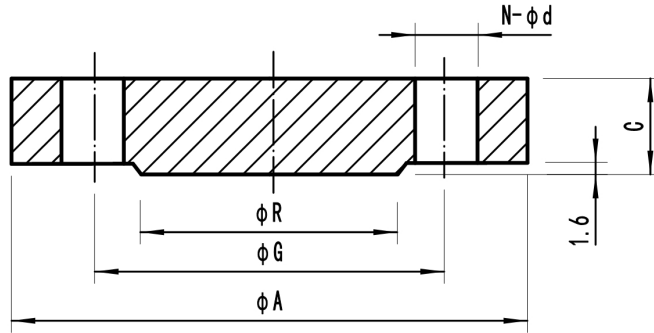


Solid Blind Flanges

Pn10 150Lbs

Material: CuNi 90/10
CuNi 70/30



Outside diameter of pipe		ISO Np10								ANSI B16.5							
										150Lbs							
ØD	ØA	C	ØR	E	Drilling			Theo. weight	ØA	C	ØR	Drilling			Theo. weight		
					ØG	N	Ød					ØG	N	Ød			
nominal	actual	mm	mm	mm	mm	mm	bolt holes	mm	Kg/piece	mm	mm	mm	mm	bolt holes	mm	Kg/piece	
inch	mm																
0.5	20	95	14	46	2	65	4	14	0.8	90	11.1	34.9	60.3	4	15.9	0.9	
0.75	25	105	16	56	2	75	4	14	1.15	100	12.7	42.9	69.8	4	15.9	1.05	
1	30	115	16	65	2	85	4	14	1.4	110	14.3	50.8	79.4	4	15.9	1.15	
1.25	38	140	18	76	2	100	4	18	2.05	115	15.9	63.5	88.9	4	15.9	1.5	
1.5	44.5	150	18	84	3	110	4	18	2.4	125	17.5	73	98.4	4	15.9	1.6	
2	57	165	20	99	3	125	4	18	3.25	150	19.1	92.1	120.6	4	19	2.05	
2.5	76.1	185	20	118	3	145	4	18	4.15	180	22.2	104.8	139.7	4	19	3.65	
3	88.9	200	20	132	3	160	8	18	5.75	190	23.8	127	152.4	4	19	4.55	
4	108	220	22	156	3	180	8	18	7.05	230	23.8	157.2	190.5	8	19	9.1	
5	133	250	22	184	3	210	8	18	10.1	255	23.8	185.7	215.9	8	22.2	10.25	
6	159	285	24	211	3	240	8	22	13	280	25.4	215.9	241.3	8	22.2	13.7	
7	193.7	315	24	242	3	270	8	22	17.55	-	-	-	-	-	-	-	
8	219.1	340	24	266	3	295	8	22	20.4	345	28.6	269.9	298.4	8	22.2	22.8	
10	267	395	26	319	3	350	12	22	29.65	405	30.2	323.8	361.9	12	25.4	36.45	
12	323.9	445	26	370	4	400	12	22	37.6	485	31.8	381	431.8	12	25.4	57	
14	368	505	26	429	4	460	16	22	52.45	535	34.9	425.1	476.2	12	28.6	67.25	
16	419.1	565	28	480	4	515	16	26	68.4	595	36.5	482.6	539.7	16	28.6	87.8	
18	457.2	615	28	530	4	565	20	26	80.95	635	39.7	533.4	577.8	16	31.7	108.3	
20	508	670	30	582	4	620	20	26	103.75	700	42.9	584.2	635	20	31.7	140.25	
24	610	780	34	682	5	725	20	30	149.35	815	47.6	692.1	749.3	20	34.9	212.05	

Flanges